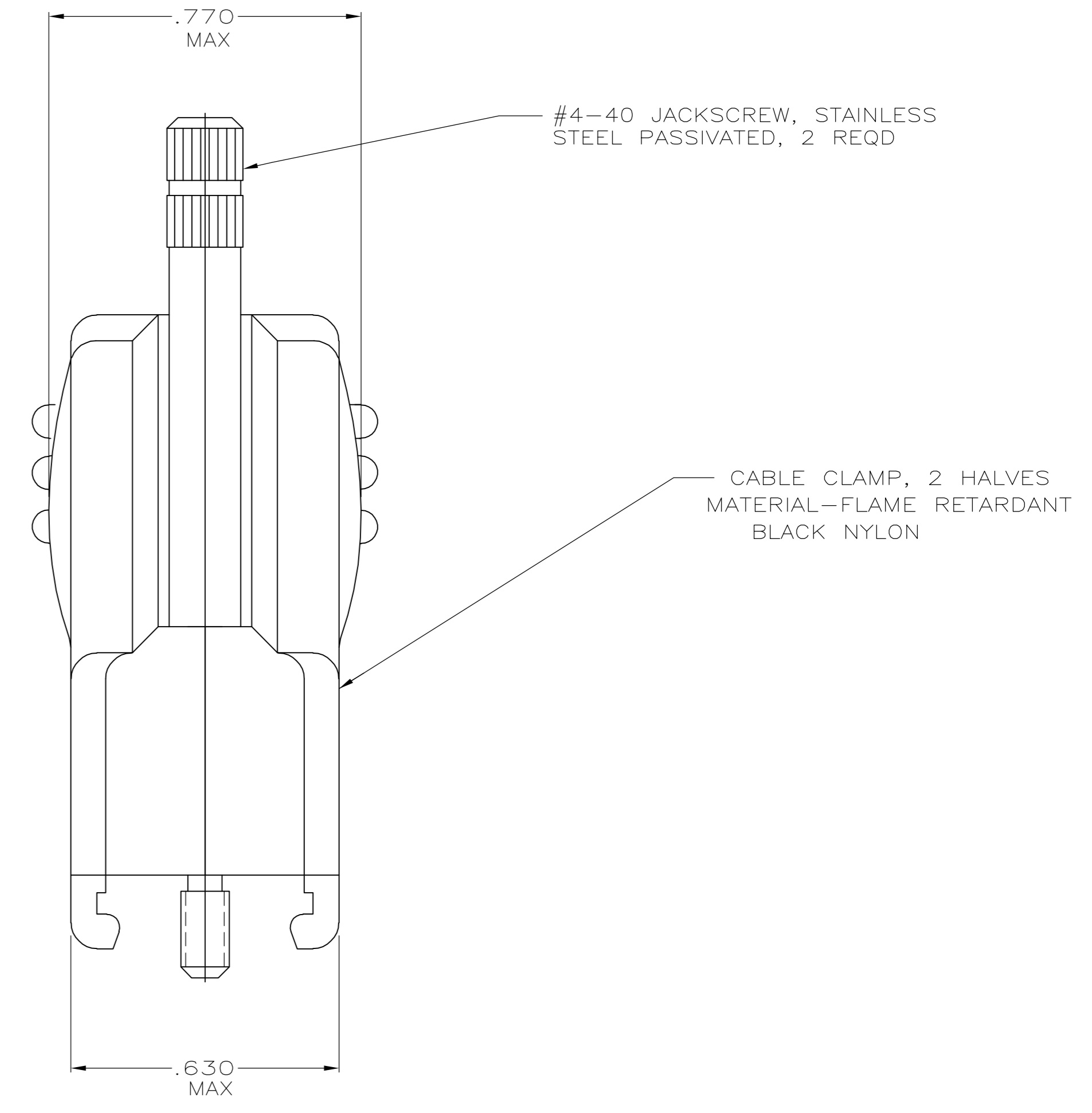
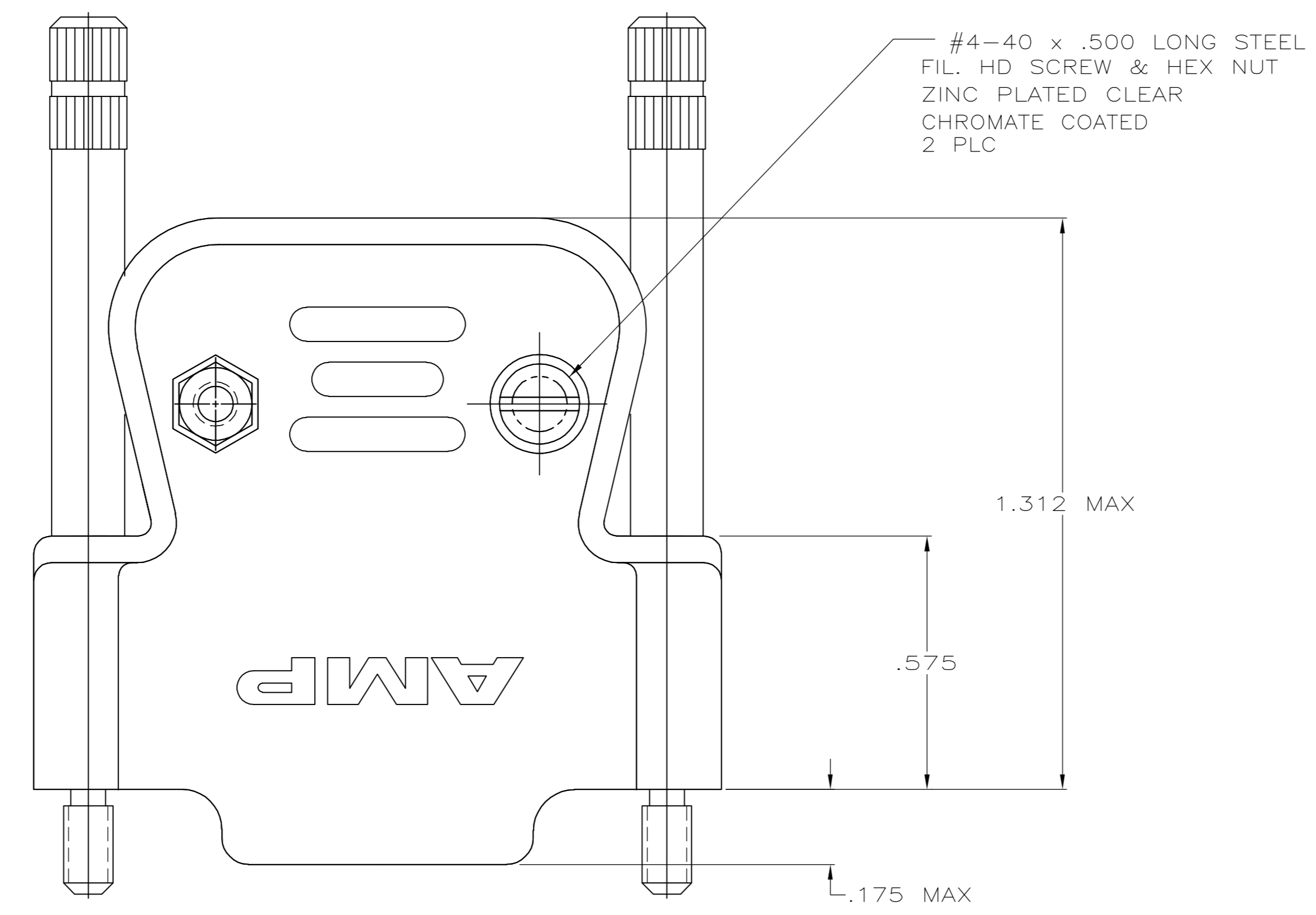
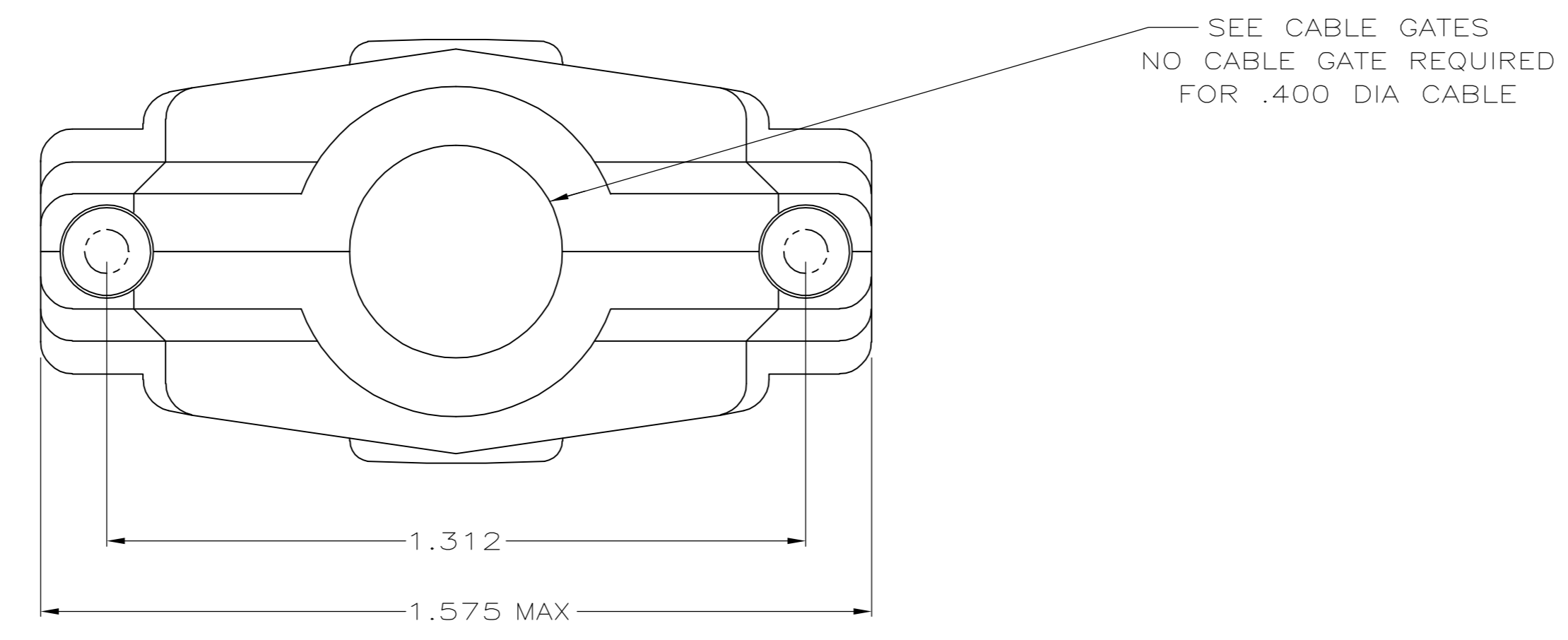


CABLE GATES



1. PARTS PACKAGED UNASSEMBLED.

5745122-2
 PART NO

THIS DRAWING IS A CONTROLLED DOCUMENT.		DWN: R. RICHARDSON 14SEP05		Tyco Electronics Corporation Harrisburg, PA 17105-3608																		
DIMENSIONS: INCHES		CHK: C. ROHDE 14SEP05		NAME: M. WALSLEY 14SEP05	CABLE CLAMP SIZE 2, 15 POSITIONS CONNECTOR WITH TURNABLE JACKSCREWS, AMPLIMITE																	
TOLERANCES UNLESS OTHERWISE SPECIFIED:		PRODUCT SPEC		APPLICATION SPEC																		
<table border="1"> <tr><td>0 PLC</td><td>±</td><td>-</td></tr> <tr><td>1 PLC</td><td>±</td><td>-</td></tr> <tr><td>2 PLC</td><td>±</td><td>-</td></tr> <tr><td>3 PLC</td><td>±</td><td>-</td></tr> <tr><td>4 PLC</td><td>±</td><td>-</td></tr> <tr><td>ANGLES</td><td>±</td><td>±</td></tr> </table>		0 PLC	±	-	1 PLC	±	-	2 PLC	±	-	3 PLC	±	-	4 PLC	±	-	ANGLES	±	±	RESTRICTED TO		SCALE: 4:1
0 PLC	±	-																				
1 PLC	±	-																				
2 PLC	±	-																				
3 PLC	±	-																				
4 PLC	±	-																				
ANGLES	±	±																				
MATERIAL: SEE CALLOUTS		FINISH: SEE CALLOUTS		WEIGHT: -																		
CUSTOMER DRAWING		A1 00779 ©=5745122		SHEET 1 OF 1 REV 0																		